

4008 CUT HEAT SINK SERIES

- LOW PROFILE
- HIGH AIR FLOW
- 4-WAY AIR CIRCULATION WITH IMPROVED BLADE
- EASY USE ON 35x35 BGA-TYPE VGA CARD
- HIGH LIFE EXPECTANCE



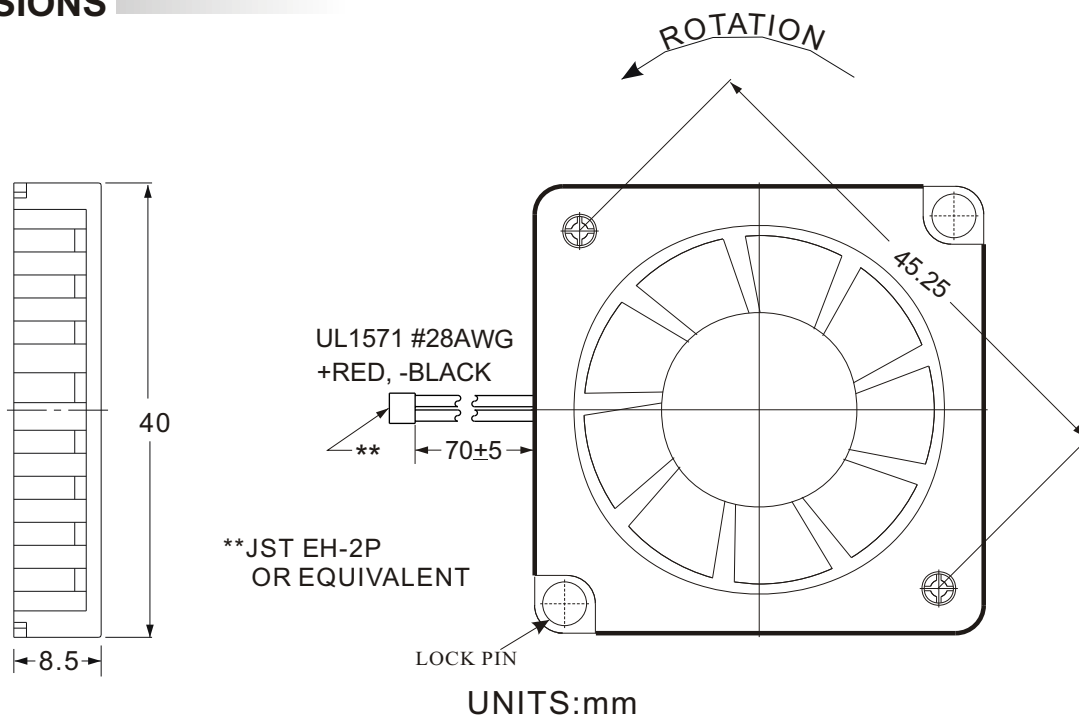
APPLICATIONS: SPECIAL FOR HIGH-SPEED VGA CARDS.

SPECIFICATIONS

Model	Bearing B=Bearing S=Sleeve	Speed (RPM)	Rated Current (AMP)	Power Consumption (WATTS)	Air Flow (CFM)	Static Pressure mm-H ₂ O	Noise (dBA)	Life Expect (Hrs)
S054008B7T	1B	7000	0.1	0.5	3.2	2.8	27	50000
S054008S7T	1S	7000	0.1	0.5	3.2	2.8	27	30000
S124008B7T	1B	7000	0.08	1.0	3.2	2.8	27	50000
S124008S7T	1S	7000	0.08	1.0	3.2	2.8	27	30000

Air Fow Tested	:	Without Heat Sink
Operating Voltage (Vdc)	:	4.0V - 6.0V FOR S05; 7.0V - 14.4V FOR S12
Direction Of Rotation	:	Counter - Clockwise Viewed From Fan Blade
Air Flow Direction	:	Sink Side (4 directions)
Operating Temperature	:	-10 to +70 Deg.C
Storage Temperature	:	-10 to +70 Deg.C
Bearing System	:	Precise Ball Bearing System
Weight	:	15g
Tolerances	:	15% On Rated Power & Current

DIMENSIONS



MORE INFORMATION PLEASE CONTACT:

TAISOL ELECTRONICS CO., LTD.
 TEL:886-2-26981165 FAX:886-2-26981169
<http://www.taisol.com> e-mail: sales@taisol.com.tw