

4008 HIDDEN LOCKER WITH HEAT SINK SERIES

- LOW PROFILE
- HIGH AIR FLOW
- 4-WAY AIR CIRCULATION WITH IMPROVED BLADE
- EASY USE ON 35x35 BGA-TYPE VGA CARD
- HIGH LIFE EXPECTANCE



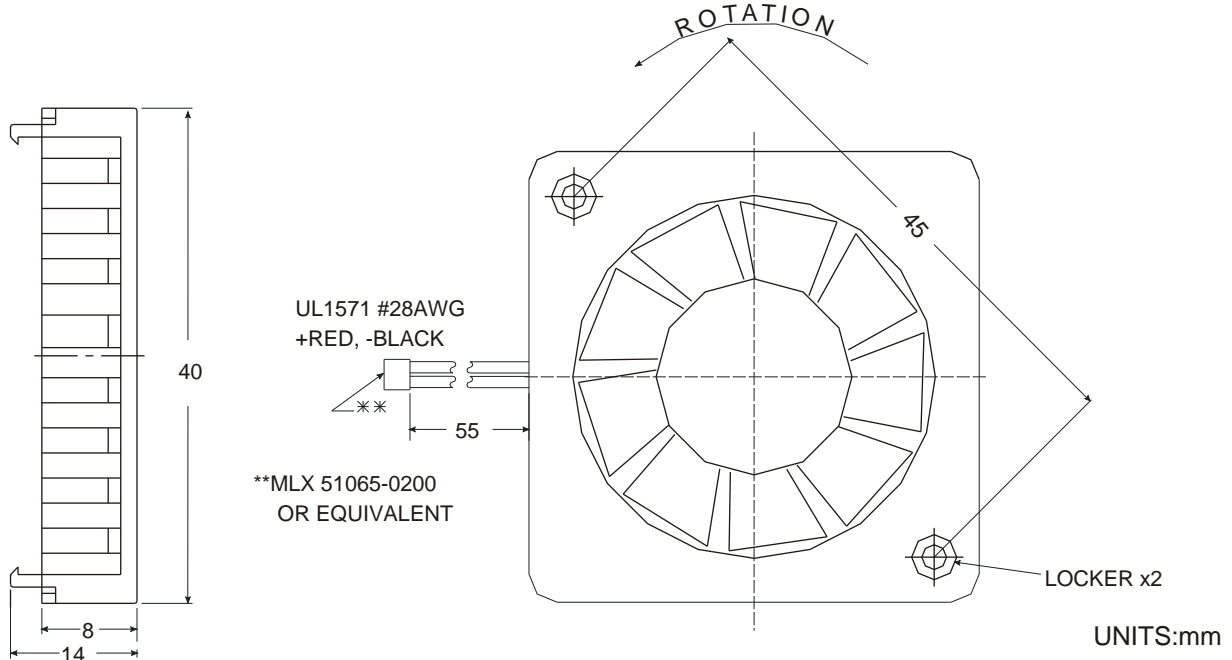
APPLICATIONS:SPECIAL FOR HIGH-SPEED VGA CARDS.

SPECIFICATIONS

Model	Bearing B=Bearing S=Sleeve	Speed (RPM)	Rated Current (AMP)	Power Consumption (WATTS)	Air Flow (CFM)	Static Pressure Inch-H ₂ O	Noise (dBA)
S054008B7C	1B	7500	0.105	0.55	1.8	0.08	24
S054008S7C	1S	7500	0.105	0.55	1.8	0.08	24
S124008B7C	1B	7500	0.07	0.85	3.2	2	24
S124008S7C	1S	7500	0.07	0.85	3.2	2	24

Air Flow Tested	:	Without Heat Sink
Operating Voltage (Vdc)	:	3.2V - 6.0V FOR S05; 7.0V - 14.4V FOR S12
Direction Of Rotation	:	Counter - Clockwise Viewed From Fan Blade
Air Flow Direction	:	Sink Side (4 directions)
Operating Temperature	:	-10 to +70 Deg.C
Storage Temperature	:	-10 to +70 Deg.C
Bearing System	:	Precise Ball Bearing System
Weight	:	15g
Tolerances	:	15% On Rated Power & Current

DIMENSIONS



MORE INFORMATION PLEASE CONTACT:

TAISOL ELECTRONICS CO., LTD.

TEL:886-2-26981165

FAX:886-2-26981169

<http://www.taisol.com> e-mail:sales@taisol.com.tw